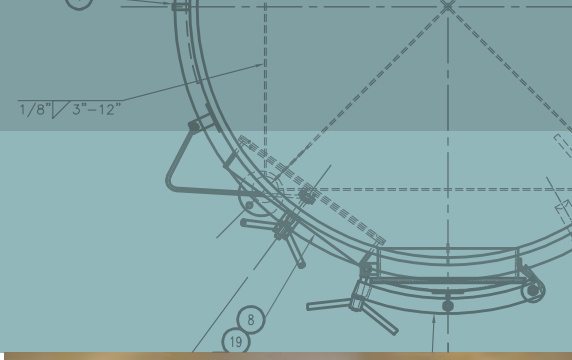


# BRIGHT CIDER

## Conditioning Tank



### Carbonate

Size	Price Ranges	Minimum Ceiling Height (ft.)	Space Required (sq. ft.)
<b>10 BBL</b> (310 Gal)	\$8,360 - \$10,340	9'	12 - 20
<b>15 BBL</b> (465 Gal)	\$9,790 - \$11,990	10'	18 - 28
<b>20 BBL</b> (620 Gal)	\$11,330 - \$13,750	11'	20 - 30
<b>30 BBL</b> (930 Gal)	\$12,540 - \$15,400	12'	25 - 36
<b>40 BBL</b> (1,240 Gal)	\$14,080 - \$17,270	13'	30 - 42
<b>100 BBL</b> (3,100 Gal)	\$24,200 - \$29,480	18'	49 - 64
<b>200 BBL</b> (6,200 Gal)	\$31,570 - \$38,610	22'	72 - 90

#### TANK CONFIGURATION

304 polished s/s  
ID Ground Smooth  
OD Buffed Finish  
Dished Bottom  
Dished Top  
16"x22" Inswing/Outswing Door  
Split RSW Jacketing  
Sprayball & Downtube  
Temperature Well  
1" Sample Valve  
1.5" Drain

#### TANK OPTIONS

Calibrated Sight Tube Assy  
w/ Valve \$975  
Pressure Relief Valve \$270  
6" Carb Stone  
w/ Check Valve \$425  
2" Butterfly Valve \$169  
1.5" Butterfly Valve \$141  
Sample Valve \$124  
Dial Thermometer \$56  
TC Clamp \$9  
TC Gasket, set of (2) \$1



200 BBL Bright Cider Tanks; photo courtesy of Schilling Cider